



Tricot Machine

高速机系列

HTS2M

HTS3M / HTS3EL

HTS4M / HTS4EL

TS4C

TS4TJ



-  A-ZEN Factory
-  A-ZEN Overseas Service Center

We're Satisfied with Your Satisfaction.



CHANGZHOU A-ZEN TEXTILE TECHNOLOGY CO.,LTD

E-mail: info@azentex.com

Website: www.azentex.com

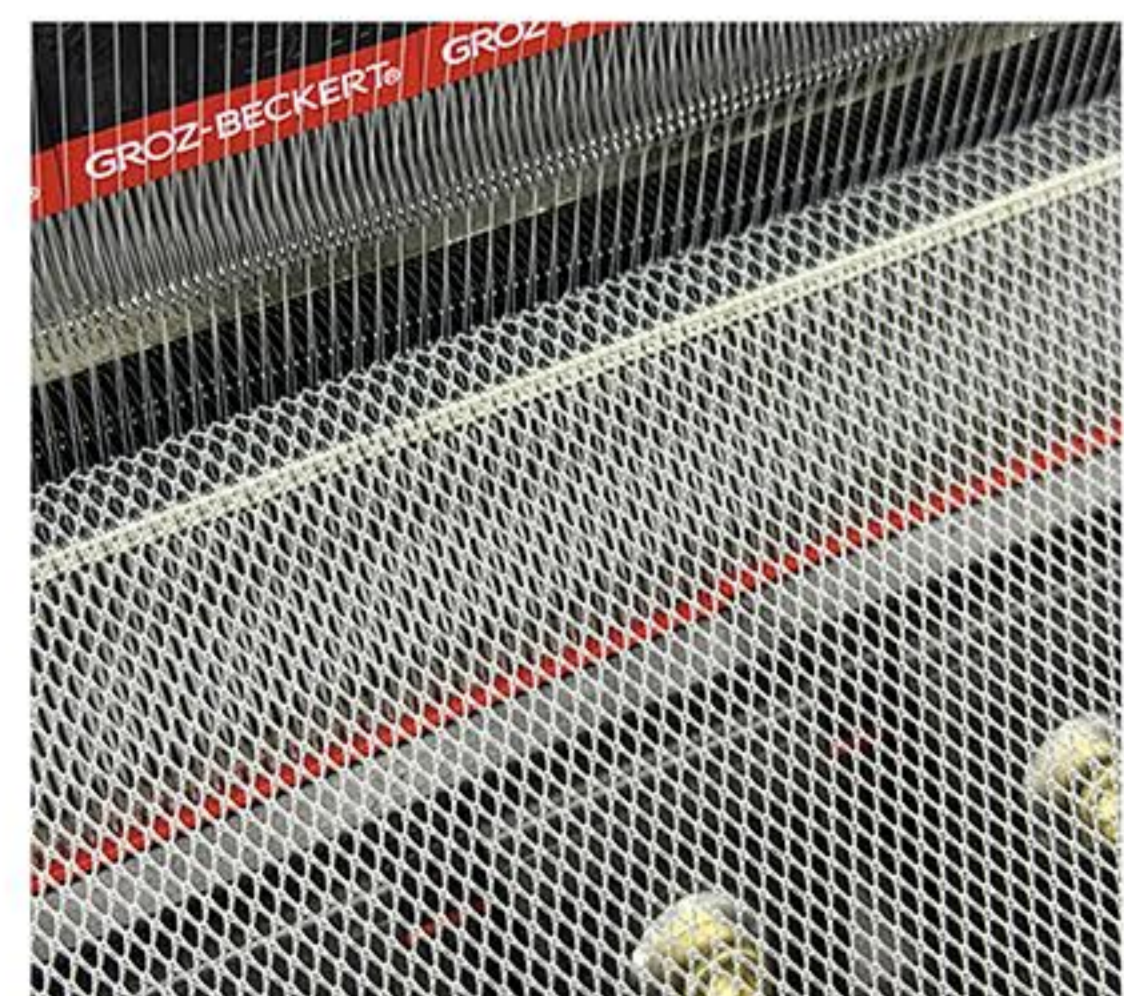
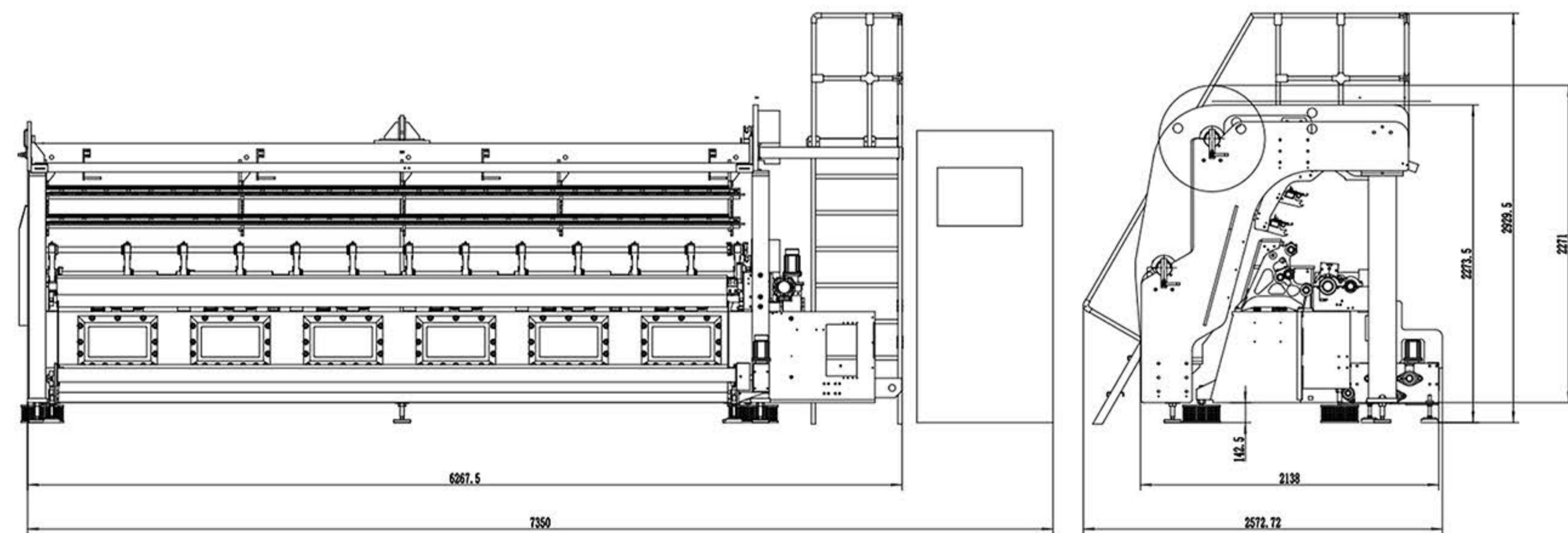


HTS2M型高速经编机

HTS2M Tricot Machine

Productive machine for producing tulle mesh textiles

用于生产薄纱网眼织物的高性能经编机。



技术参数

工作门幅/机号
130" E28/E32
186" E28/E32
218" E28/E32
290" E28/E32

梳栉数
2组碳纤维增强梳栉

提花机构
花盘或电子横移

送经机构
电子送经

牵拉机构
电子牵拉

盘头架
Ø34.5" 的盘头架
选配: Ø42" 的盘头架

卷取装置
轴心传动式卷取机构, 最大卷装直径为29英寸

操作系统
敏捷的人机交互系统, 快捷操作、编辑和连接

辅助装置
红外自停
油循环
选配: 布面扫描

Technical Data

Working Width/Gauge
130" E28/E32
186" E28/E32
218" E28/E32
290" E28/E32

Bars Numbers
2 bars in carbon-fibre-reinforced material.

Pattern Device
N-drive or EL-drive optional

Yarn Let-off Device
Electronic let-off

Fabric Take-up
Electronic take-up

Warp Beam Support
Ø34.5" beam support
Option: Ø42" beam support

Batching Device
Central drive batching, max. Ø29".

Operation System
Nimble HMI to operate, edit and connect

Integrated Monitoring Systems
Laser stop
Oil supply
Option: Fabric Camera

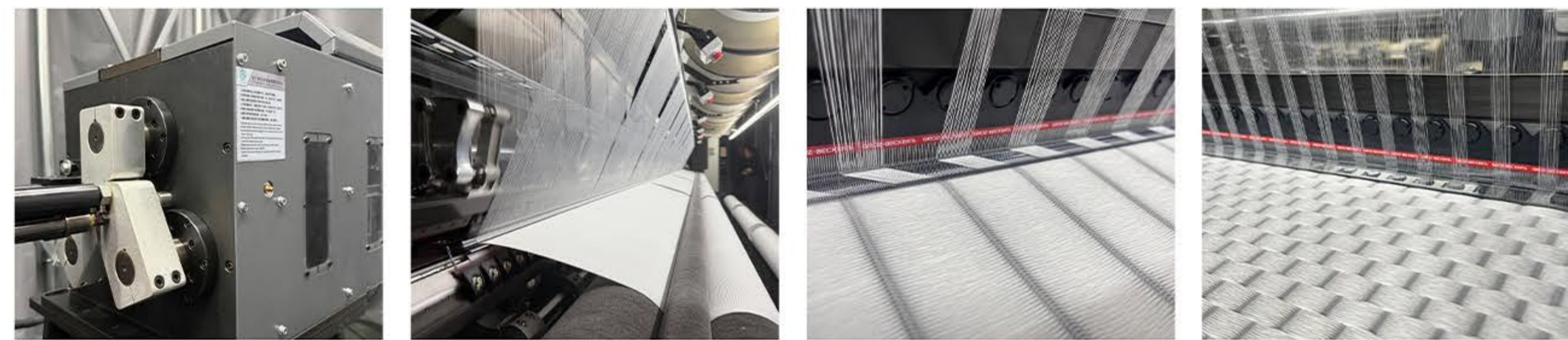
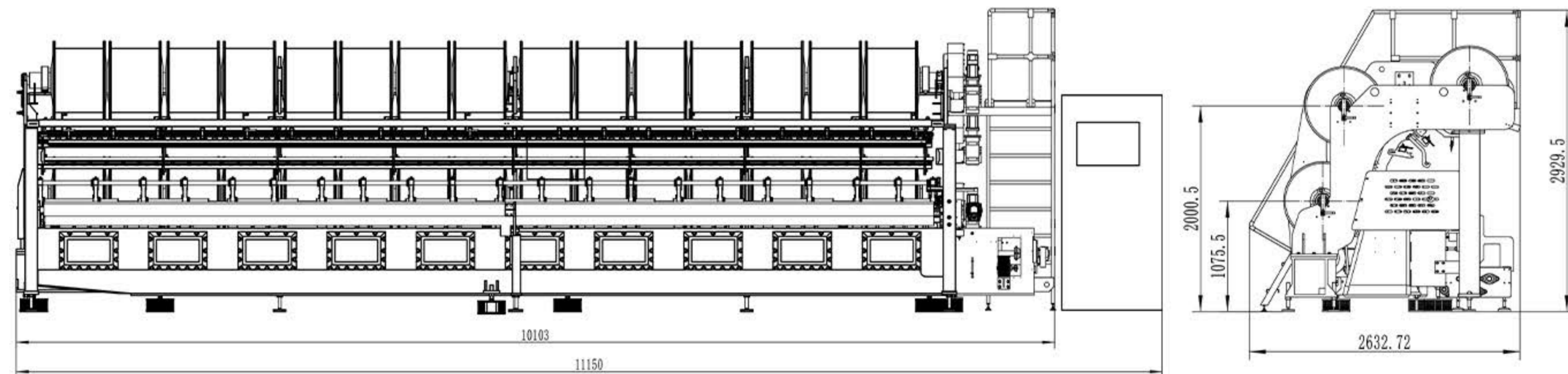


HTS3M/HTS3EL型高速经编机

HTS3M/HTS3EL Tricot Machine

Productive machine for upholstery fabrics, automotive textiles, sportswear, toy plush, mesh nets, etc.

生产室内装饰布、汽车内饰布、运动面料、毛绒玩具以及网眼布等高性能的经编机。



技术参数

工作门幅/机号
130" E28/E32/E36
186" E28/E32/E36
218" E28/E32/E36
290" E28/E32
330" E28/E32
360" E28/E32

梳栉数
3组碳纤维增强梳栉

提花机构
花盘或电子横移

送经机构
电子送经

牵拉机构
电子牵拉

盘头架
Ø34.5"的盘头架
选配:Ø42"的盘头架

卷取装置
轴心传动式卷取机构,最大卷装直径为29英寸

操作系统
敏捷的人机交互系统,快捷操作、编辑和连接

辅助装置
红外自停
油循环
选配:布面扫描

Technical Data

Working Width/Gauge
130" E28/E32/E36
186" E28/E32/E36
218" E28/E32/E36
290" E28/E32
330" E28/E32
360" E28/E32

Bars Numbers
3 bars in carbon-fibre-reinforced material.

Pattern Device
N-drive or EL-drive optional

Yarn Let-off Device
Electronic let-off

Fabric Take-up
Electronic take-up

Warp Beam Support
Ø34.5" beam support
Option: Ø42" beam support

Batching Device
Central drive batching, max. Ø29".

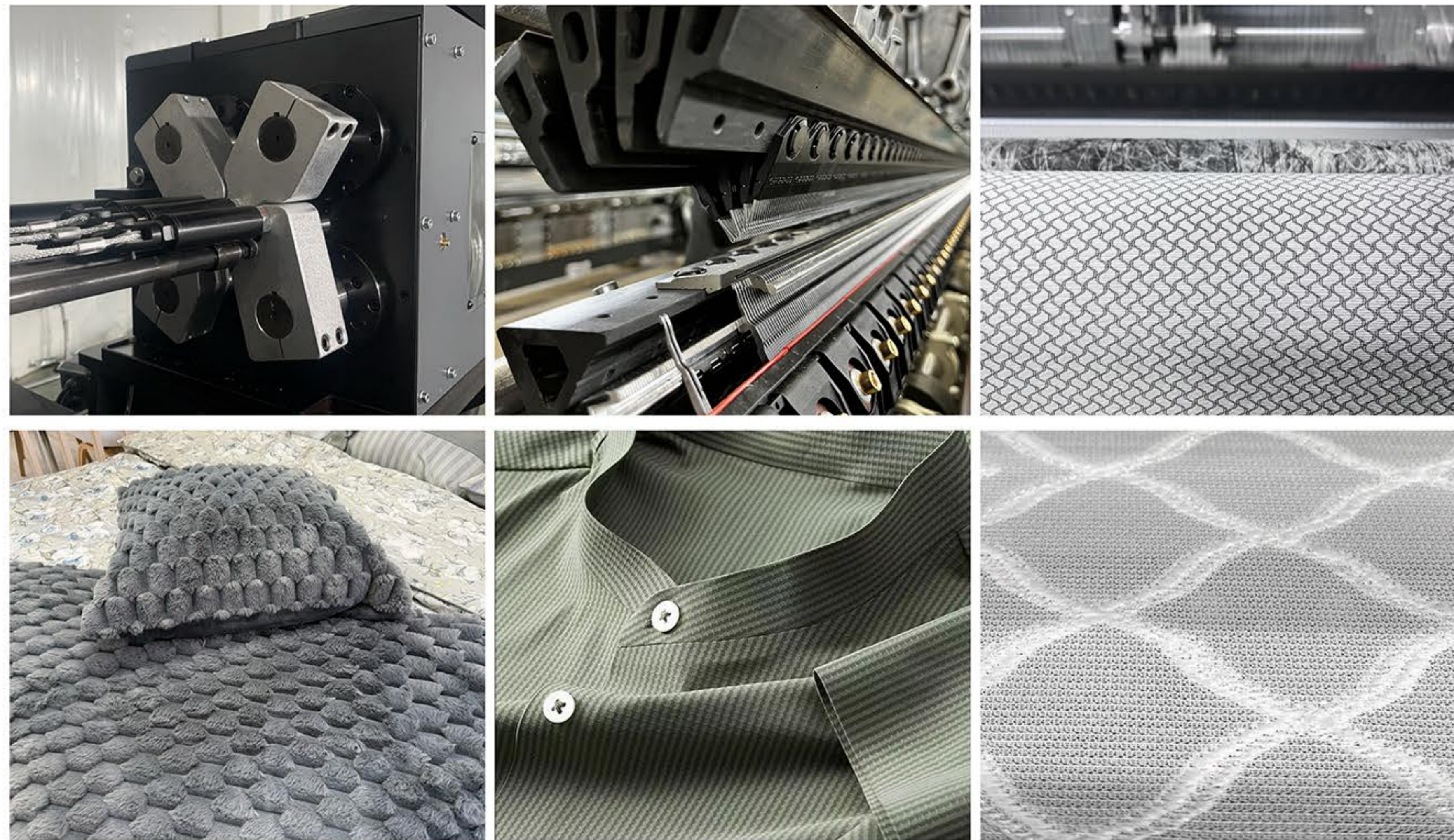
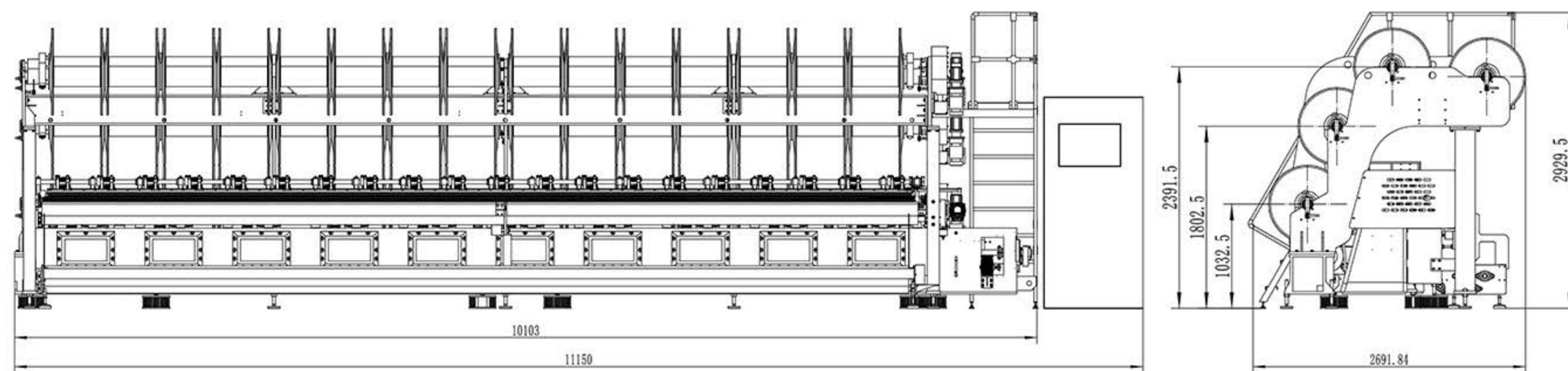
Operation System
Nimble HMI to operate, edit and connect

Integrated Monitoring Systems
Laser stop
Oil supply
Option: Fabric Camera

HTS4M/HTS4EL型高速经编机

HTS4M/HTS4EL Tricot Machine

High-performance machine for upholstery fabrics, automotive textiles, sportswear, lingerie, outwear, etc.
生产室内装饰布、汽车内饰布、运动面料、内衣以及外套等卓越经编机。



技术参数

工作门幅/机号
130" E28/E32/E36
186" E28/E32/E36
218" E28/E32/E36
290" E28/E32
330" E28/E32
360" E28/E32

梳栉数
4组碳纤维增强梳栉

提花机构
花盆或电子横移

送经机构
电子送经

牵拉机构
电子牵拉

盘头架
Ø34.5"的盘头架

卷取装置
轴心传动式卷取机构, 最大卷装直径为29英寸

操作系统
敏捷的人机交互系统, 快捷操作、编辑和连接

辅助装置
红外自停
油循环
选配: 布面扫描

Technical Data

Working Width/Gauge
130" E28/E32/E36
186" E28/E32/E36
218" E28/E32/E36
290" E28/E32
330" E28/E32
360" E28/E32

Bars Numbers
4 bars in carbon-fibre-reinforced material.

Pattern Device
N-drive or EL-drive

Yarn Let-off Device
Electronic let-off

Fabric Take-up
Electronic take-up

Warp Beam Support
Ø34.5" beam support

Batching Device
Central drive batching, max. Ø29".

Operation System
Nimble HMI to operate, edit and connect

Integrated Monitoring Systems
Laser stop
Oil supply
Option: Fabric Camera

TS4C 型高速毛巾机

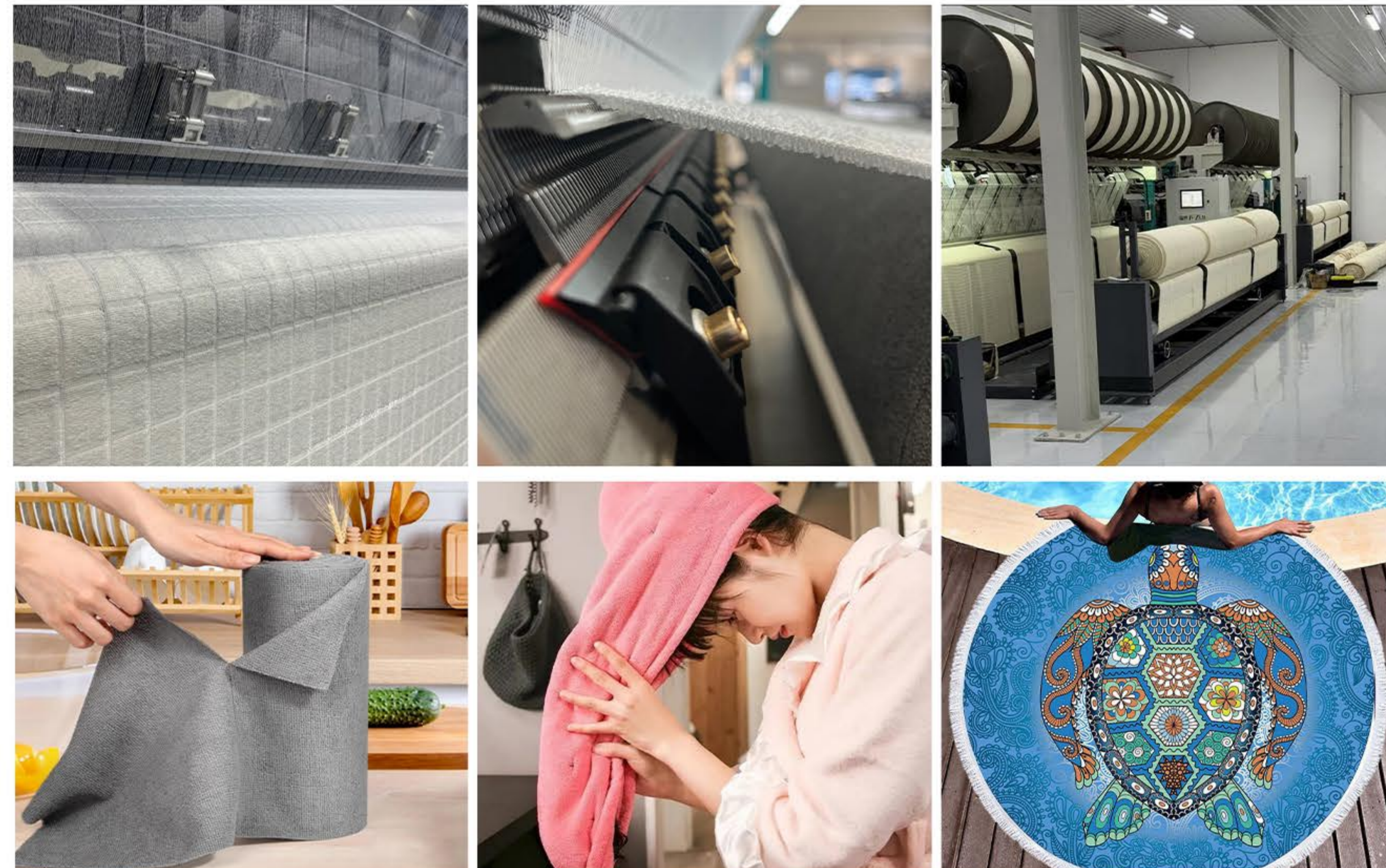
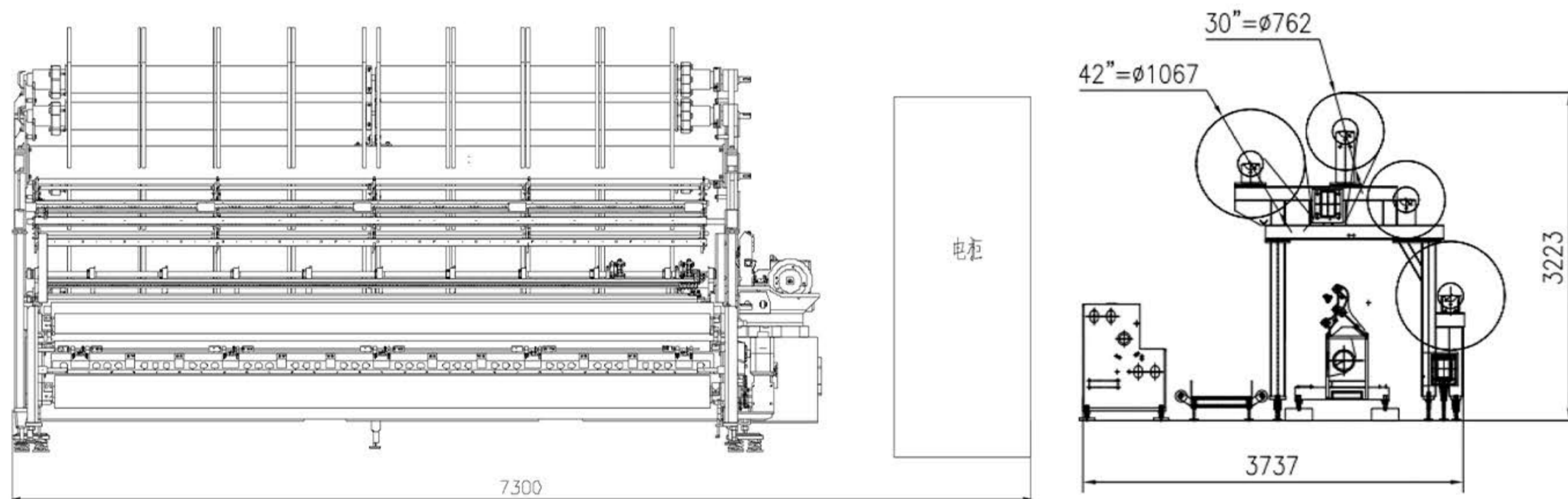
TS4C Towel Machine

Ideal terry machine for cleaning textiles, scrubber mop, bath robes, beach towels, hotel towels and hajj Ihram towels.

Filament yarn, staple fibre suitable on TS4C towel machine.

生产清洁用布、拖把布、浴巾、沙滩巾、酒店浴袍等的理想毛巾机。

TS4C可使用化纤丝及棉纱。



技术参数

工作门幅/机号

186" E24
218" E24
280" E24

梳栉数

4组碳纤维增强梳栉

提花机构

花盘或电子横移

送经机构

电子送经

牵拉机构

电子牵拉

盘头架

Ø34.5" 的盘头架
选配: Ø42" 的盘头架

卷取装置

独立的刷毛卷取装置
(棉纱毛巾机配置双刷毛装置)

操作系统

敏捷的人机交互系统, 快捷操作、编辑和连接

辅助装置

红外自停
油循环
吹风

Technical Data

Working Width/Gauge

186" E24
218" E24
280" E24

Bars Numbers

4 bars in carbon-fibre-reinforced material.

Pattern Device

N-drive or EL-drive

Yarn Let-off Device

Electronic let-off

Fabric Take-up

Electronic take-up

Warp Beam Support

Ø34.5" beam support
Option: Ø42" beam support

Batching Device

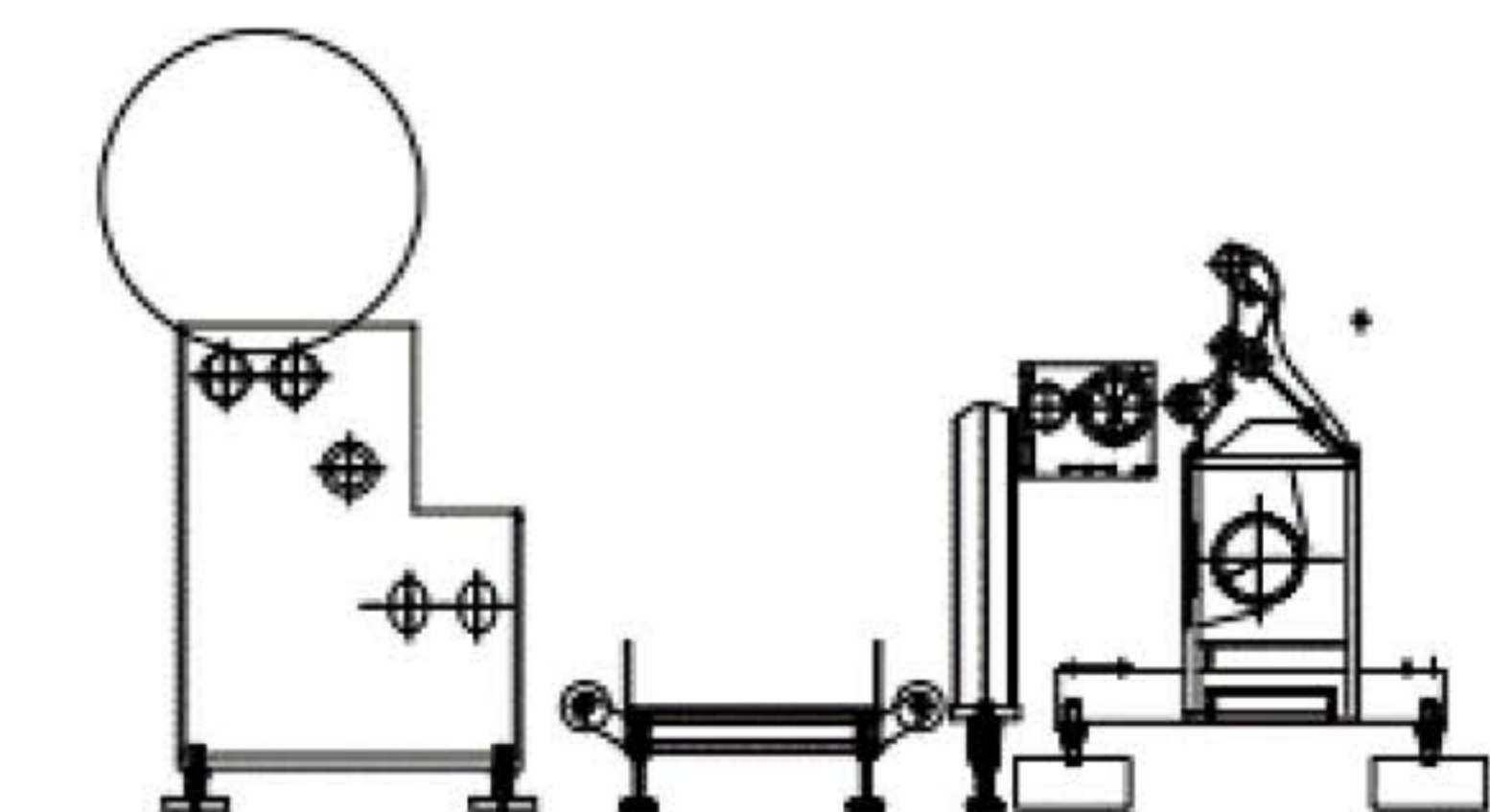
Brushing rollers on batching device
(Double brushing rollers for cotton towels)

Operation System

Nimble HMI to operate, edit and connect

Integrated Monitoring Systems

Laser stop
Oil supply
Air Blower

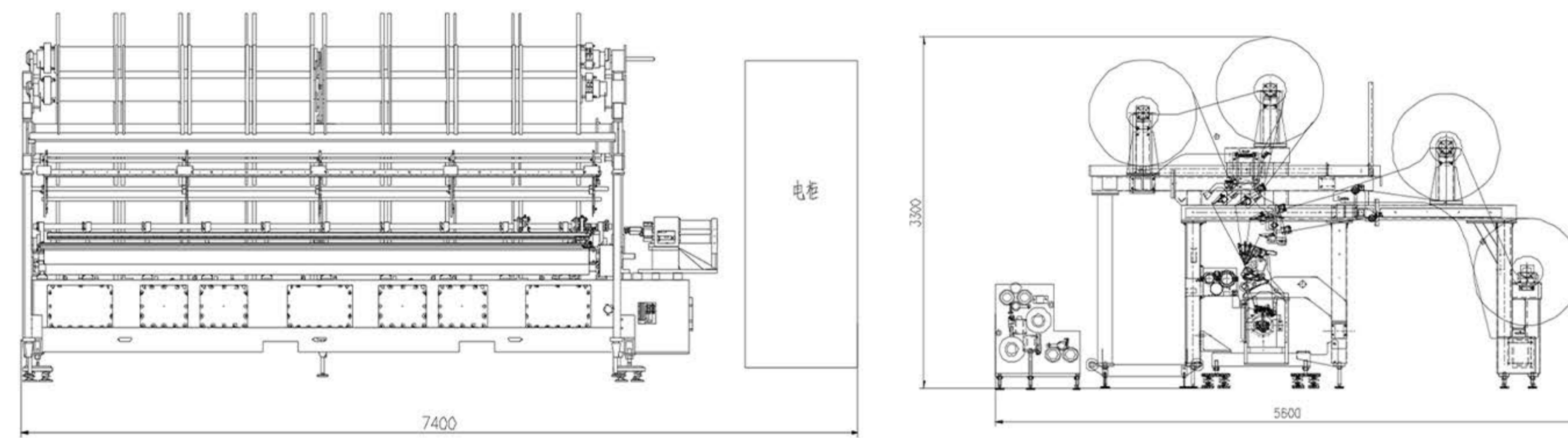


TS4TJ 型贾卡提花毛巾机

TS4TJ Jacquard Terry Machine

Flexible terry machine for jacquard-patterned cleaning textiles, hajj Ihram towels, bath robes, and hotel towels.

生产提花类清洁用布、朝拜巾、浴巾、酒店浴袍的贾卡毛巾机



技术参数

工作门幅/机号

186" E24

218" E24

梳栉数

4组碳纤维增强梳栉

提花机构

电子横移

送经机构

电子送经

牵拉机构

电子牵拉

盘头架

Ø34.5" 的盘头架

选配: Ø42" 的盘头架

卷取装置

独立的刷毛卷取装置

操作系统

敏捷的人机交互系统, 快捷操作、编辑和连接

辅助装置

红外自停

油循环

吹风

Technical Data

Working Width/Gauge

186" E24

218" E24

Bars Numbers

4 bars in carbon-fibre-reinforced material.

Pattern Device

EL-drive

Yarn Let-off Device

Electronic let-off

Fabric Take-up

Electronic take-up

Warp Beam Support

Ø34.5" beam support

Option: Ø42" beam support

Batching Device

Brushing rollers on batching device

Operation System

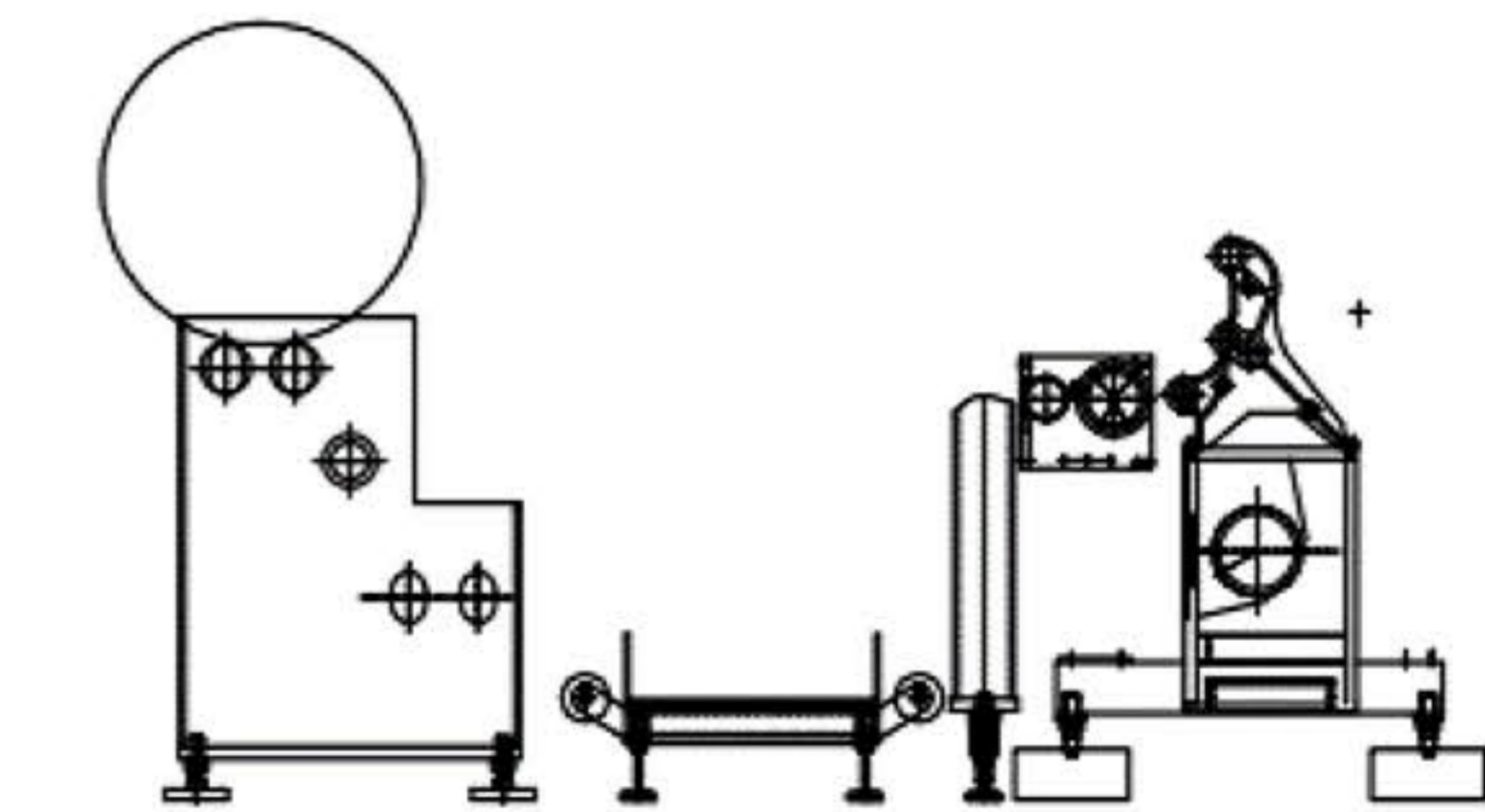
Nimble HMI to operate, edit and connect

Integrated Monitoring Systems

Laser stop

Oil supply

Air Blower

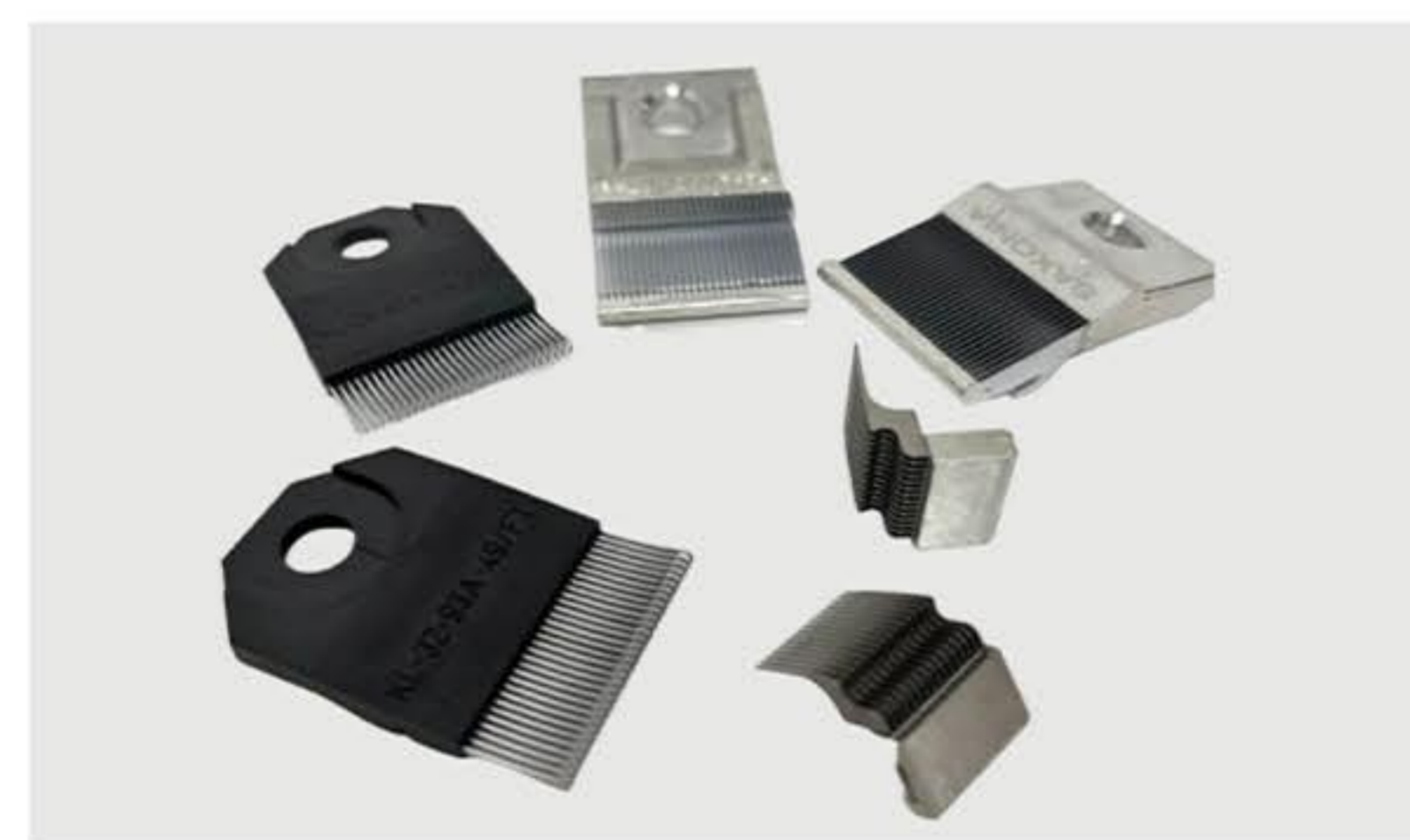




A-ZEN ACADEMY

A-ZEN Academy is a technology-oriented institution that specializes in teaching and sharing knowledge about warp knitting. Our expertise includes fabric textile analysis, pattern design, machine operation and maintenance. We are dedicated to continuously improving our teaching and research work, as well as promoting warp knitting technology worldwide.

A-ZEN Academy is committed to providing value-added services to our machine users, and we hope to be able to provide our customers with competitive warp knitting machines and technical support.



Production Process





Winding Machine



Needle Cover



Roller Cover



Pattern Disc



Needle Aligner



Needle Plier



Ball Head Screw



Oil Bellow



Tensioner



Needle Screw



Tongue Needle Cover



Bearing Joint



Oil Filter



Oil Filter



Beam Clamp Unit



Beam Shaft Unit



Copper Sliding Unit



Tension Pulley Unit



Ball Cage Shaft



Ball Cage



Torque Wrench



Swing Arm Unit

槽针类/Compound Needles



型号 Spec 槽针43.41G102



型号 Spec 槽针43.41G103



型号 Spec 槽针51.50G104

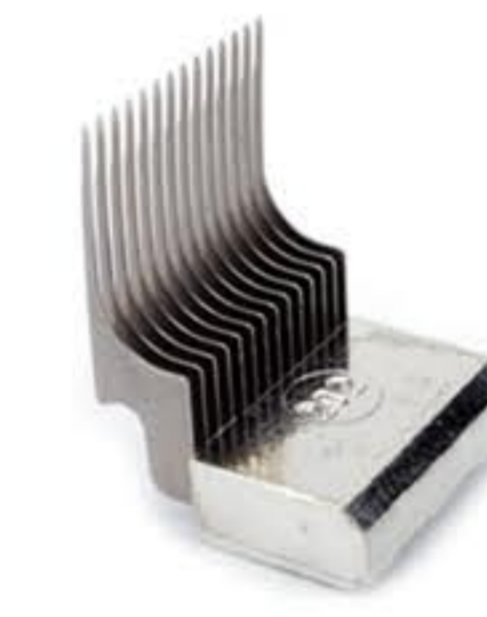


型号 Spec 槽针51.50G113

针芯类/Tongue Needles



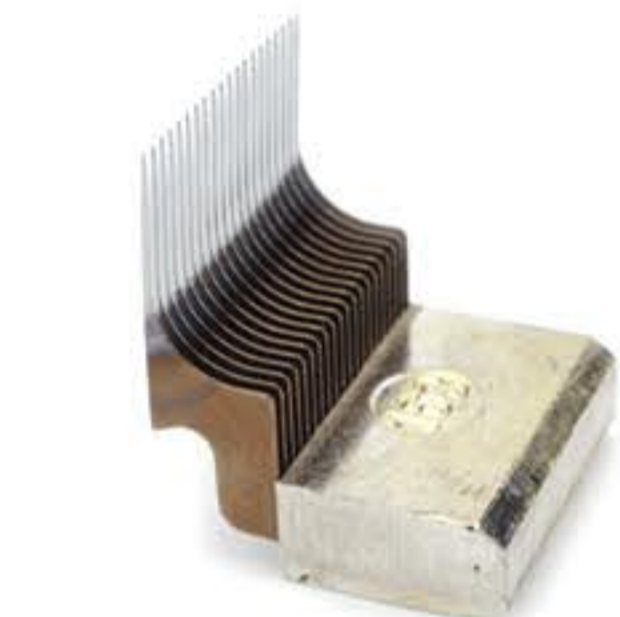
型号 Spec 针芯C-36-129SPV



型号 Spec 针芯C-28-82



型号 Spec 针芯C-32-103



型号 Spec 针芯C-40-103

沉降类/Sinker Needles



型号 Spec 沉降片
P-36-137VP-58



型号 Spec 沉降片
P-28-116VP-55



型号 Spec 沉降片
P-32-116VP-55



型号 Spec 沉降片
P-28-104VP-40

导纱针/Guide Needles



型号 Spec 导纱针
KL-32-93-2



型号 Spec 导纱针
KL-32-93H-2



型号 Spec 导纱针
KL-28-93-0/2



型号 Spec 导纱针
KL-28-93-49/2